

SYLVANIA

GENERAL TELEPHONE & ELECTRONICS

FACTORY PREPARED TECHNICAL SERVICE DATA

MODEL: AS30 AIR SUSPENSION SPEAKER

SUPPLEMENT 3 TO BULLETIN
R18-1,-3,-12



File with R18-1,-3,-12 Bulletin.

SERVICE PUBLICATIONS DEPARTMENT
Entertainment Products Division · Sylvania Electric Products Inc. · 700 Ellicott Street · Batavia, N. Y.

This Supplement introduces the AS30 Air Suspension Speaker System which is used with Model CS30.

REMOVAL OF GRILLE ASSEMBLY AND SPEAKERS

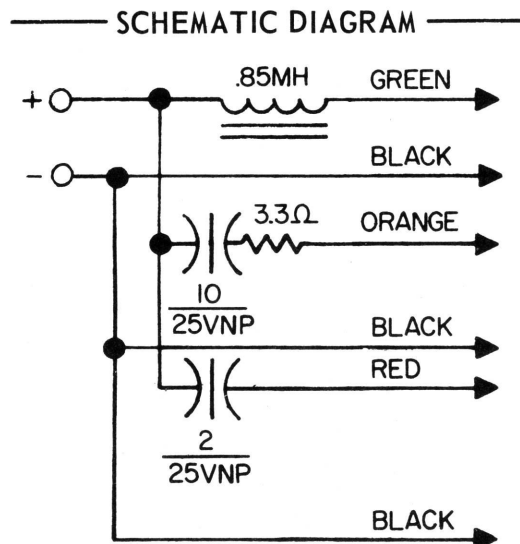
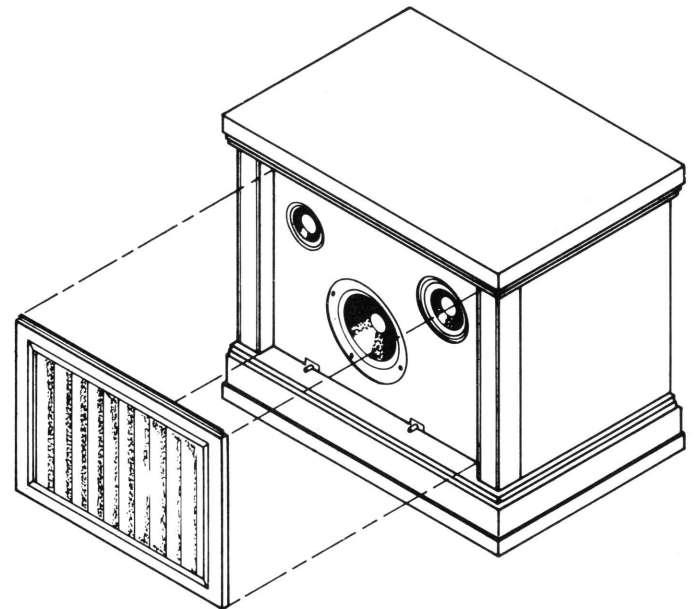
Speaker replacement is accomplished from the FRONT of the cabinet only. Access to the speakers is provided when the front grille assembly is removed.

CAUTION - Any attempt to pull the bottom rail of the speaker grille away from the cabinet from the front will damage the curtain.

The grille is held in place by two (2) fasteners at the bottom and by a groove at the top. Insert a screw driver or other suitable instrument through the 3/4" access hole in the bottom of the cabinet in back of the front rail and force the bottom of the grille assembly forward (away from the front of the cabinet) for grille removal.

Remove screws from speaker and lift from housing. Disconnect leads from speaker. Be sure to observe correct phasing when installing speakers. Original Mortite may be reused for air-tight mounting.

Replace grille in original position by locating tongue at top of grille in proper groove in cabinet and then pushing bottom of grille in place.



The AS30 is a furniture style "air suspension" sealed speaker system incorporating a high compliance 10" bass driver, a 6" high compliance closed back midrange and a wide dispersion 3" tweeter.

PERFORMANCE:

Nominal System Impedance	8 ohms
Recommended Amplifier Power	40W - IHF
Minimum Power - small room	10W - IHF
- large room	20W - IHF
Frequency Response	35 - 20kHz $\pm 3db$
	25 - 25kHz $\pm 6db$
System Resonance	45Hz
Enclosure Volume	4810 cu. in.
Crossover Frequencies - Tweeter	9kHz
- Midrange	1.5kHz

IMPORTANT: Always use genuine Sylvania replacement parts and tubes.

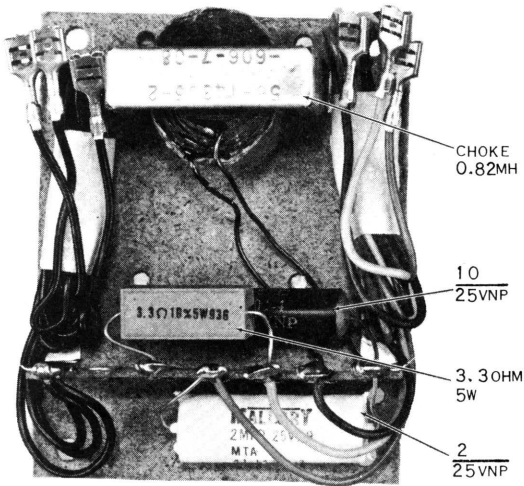
(over)

SUPPLEMENT 3 TO BULLETIN R18-1,-3,-12

SUPPLEMENT 3 TO BULLETIN R18-1,-3,-12

CROSSOVER NETWORK

REPLACEMENT PARTS LIST



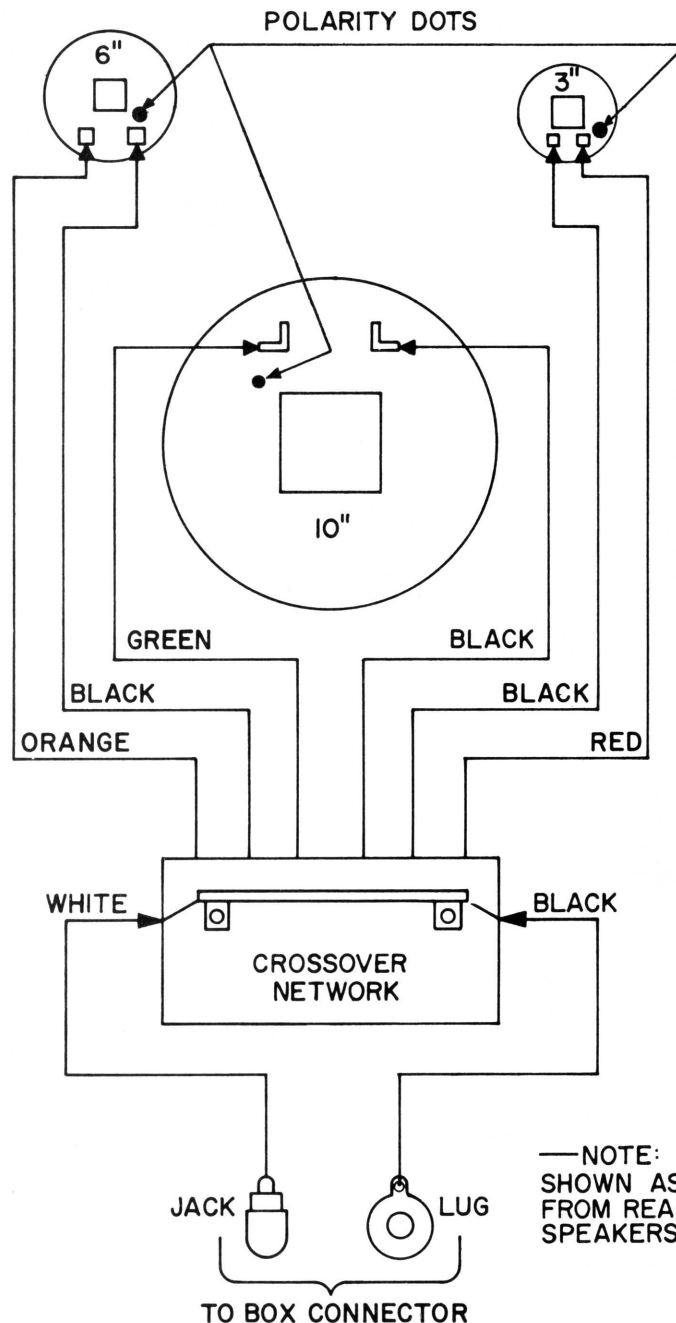
DESCRIPTION

- Cabinet - Catch W/Strike
- Curtain
- Grille
- Cord - Speaker
- Jack - Phono
- Flat Washer
- Mounting Eyelet
- Nut
- Solder Lug
- Speaker - 3" PM
- 6" PM
- 10" PM
- Crossover - Capacitor, 2/25VNP
- Capacitor, 10/25VNP
- Choke, .85MH
- Resistor, 3.3 ohm, 5W

SERVICE PART NO.

- 70-56693-10
- 10-96198-110
- 74-86784-21
- 73-14921-6
- 73-14854-1
- 73-14854-4
- 70-14635-2
- 73-14854-2
- 73-14854-3
- 12-26878-1
- 12-18767-2
- 12-22110-1
- 41-14304-2
- 41-14304-4
- 56-14305-2
- 36-62454-13

SPEAKER COMPLEMENT



—NOTE:
SHOWN AS VIEWED
FROM REAR OF
SPEAKERS.